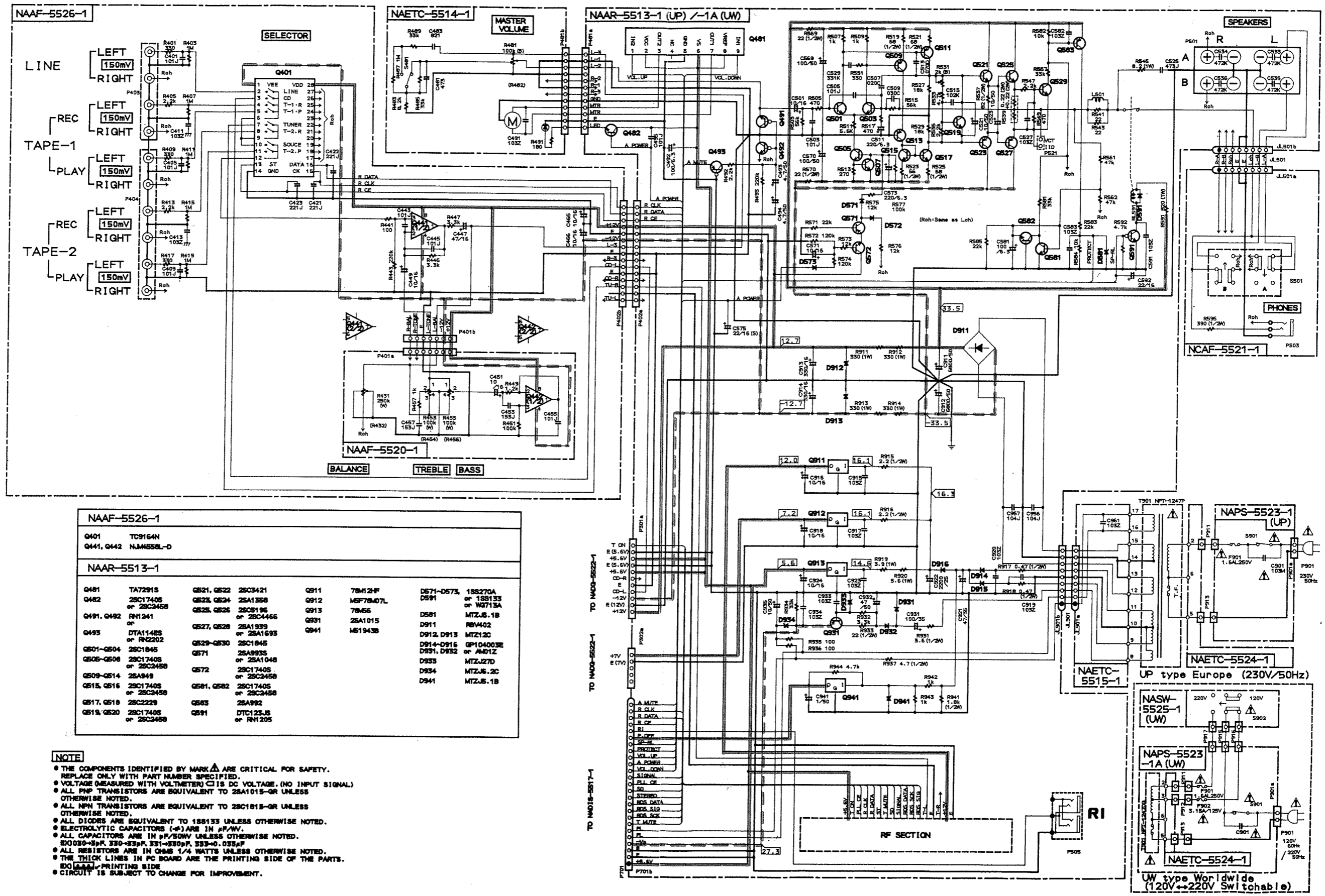


SCHEMATIC DIAGRAM

- Audio section -



SCHEMATIC DIAGRAM

-Tuner/Microprocessor section-

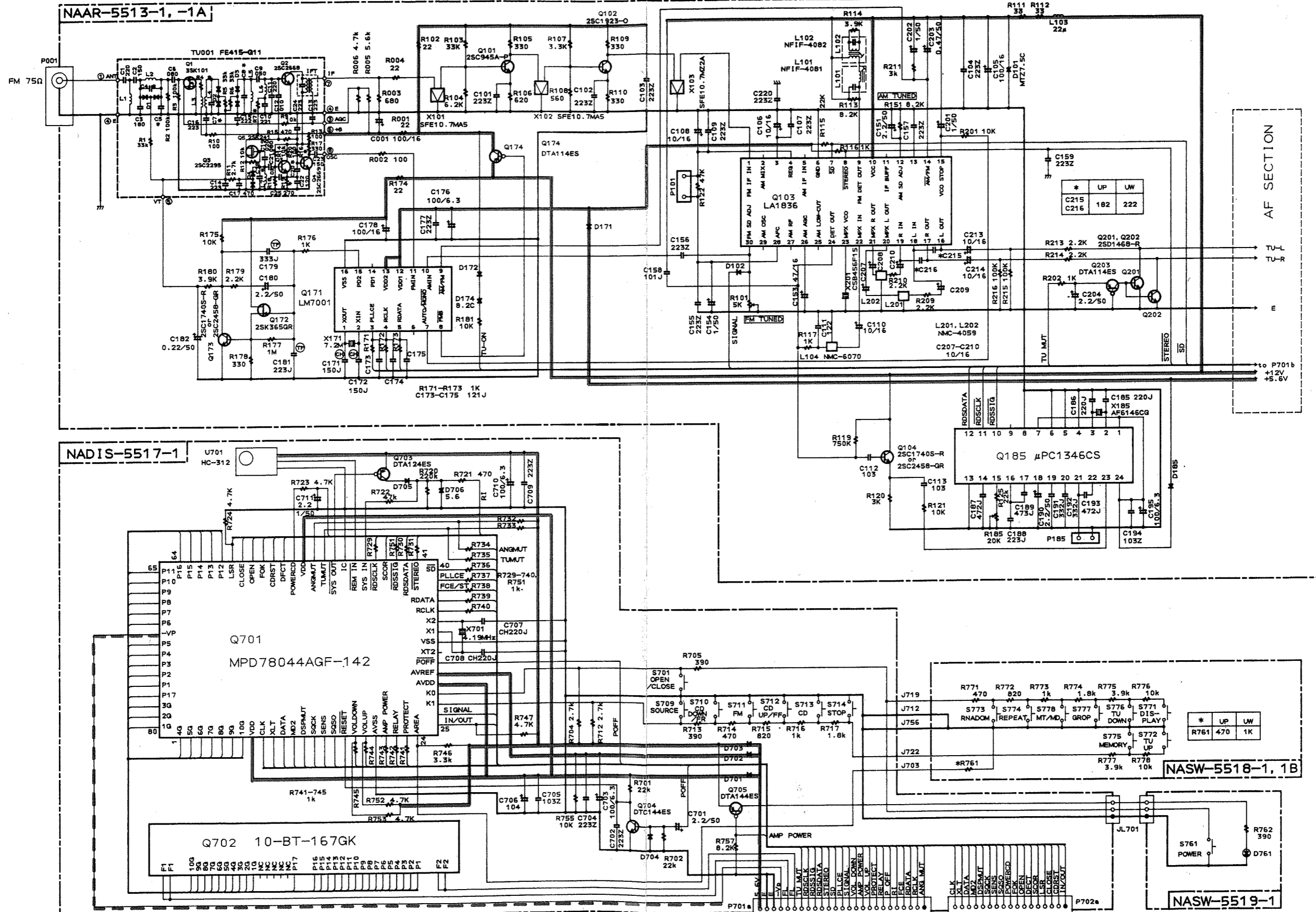
1

2

3

4

5

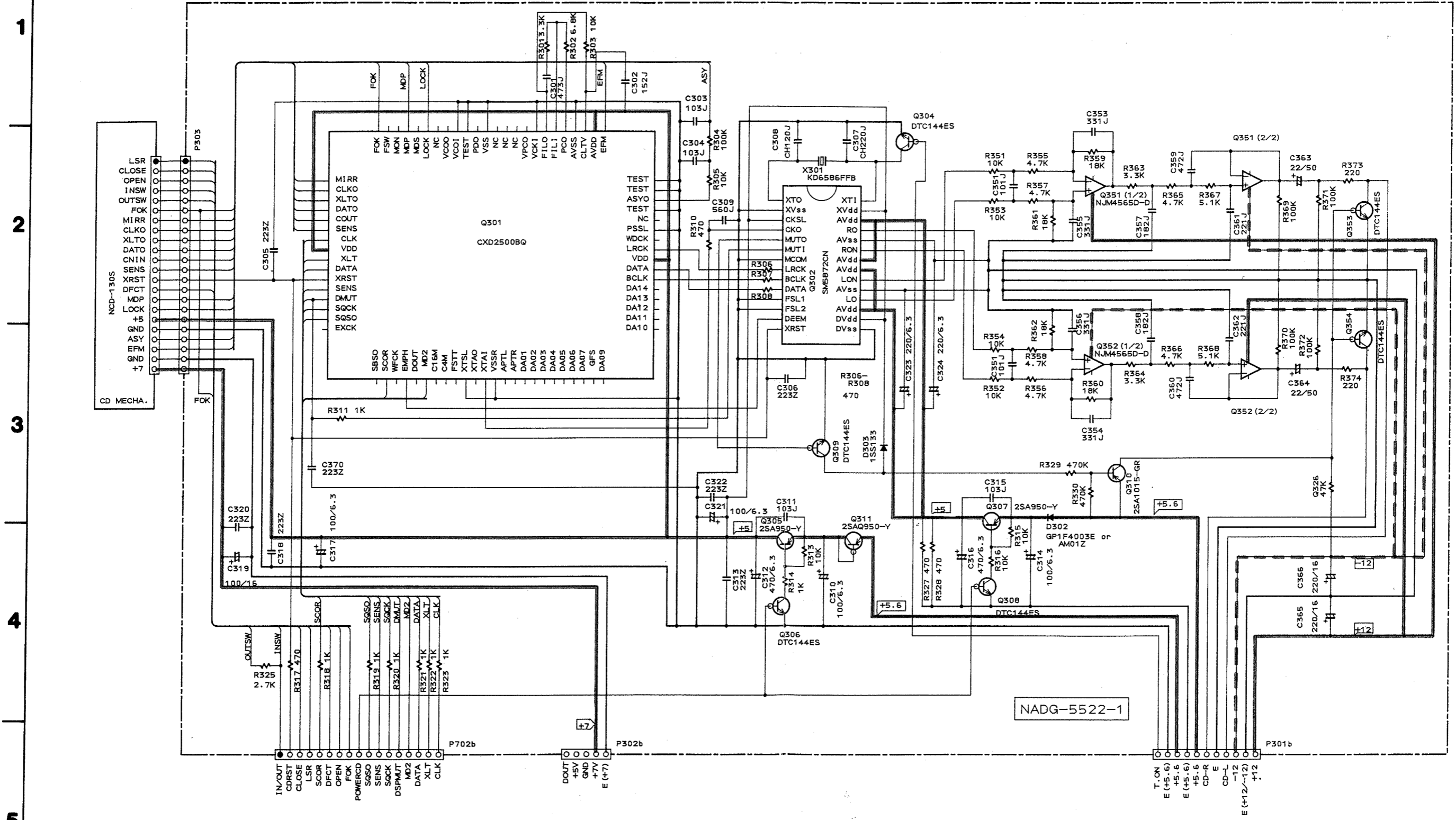


	UP	LW
* C215	182	222
* C216		

	UP	LW
* R761	470	1K

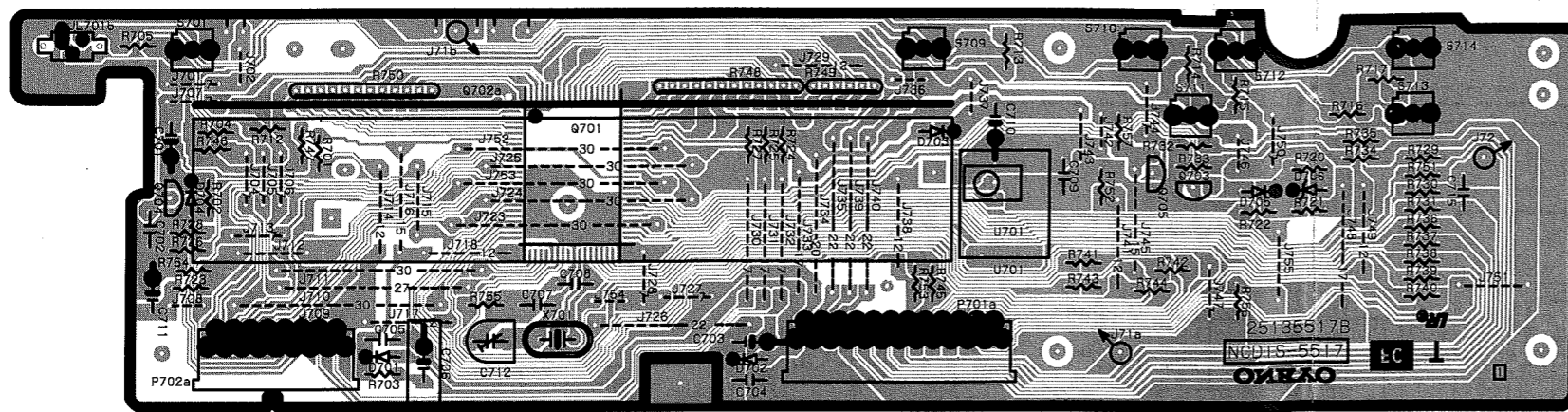
SCHEMATIC DIAGRAM

- CD section -

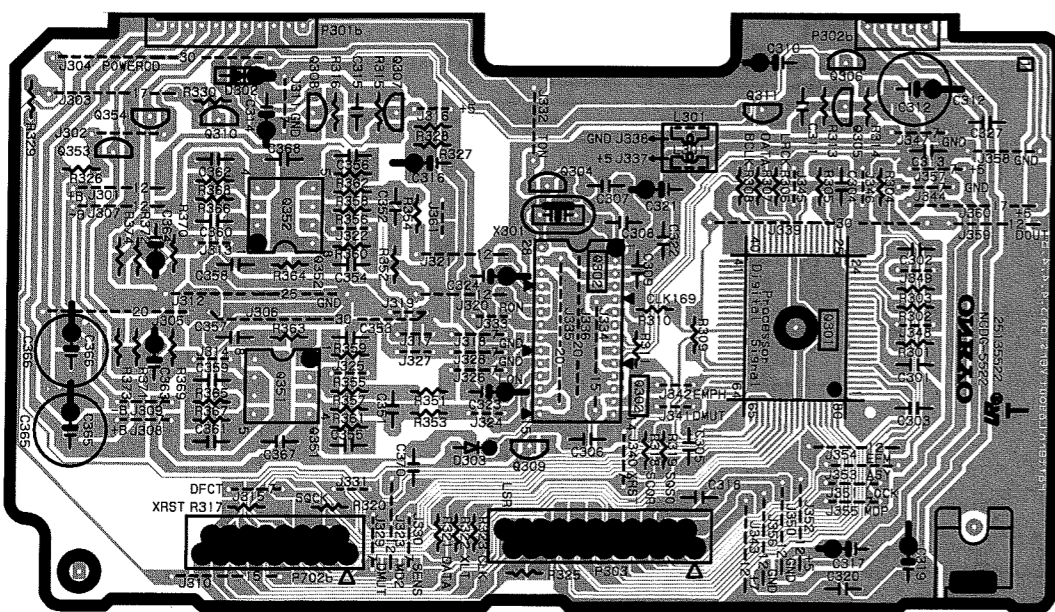


NADG-5522-1

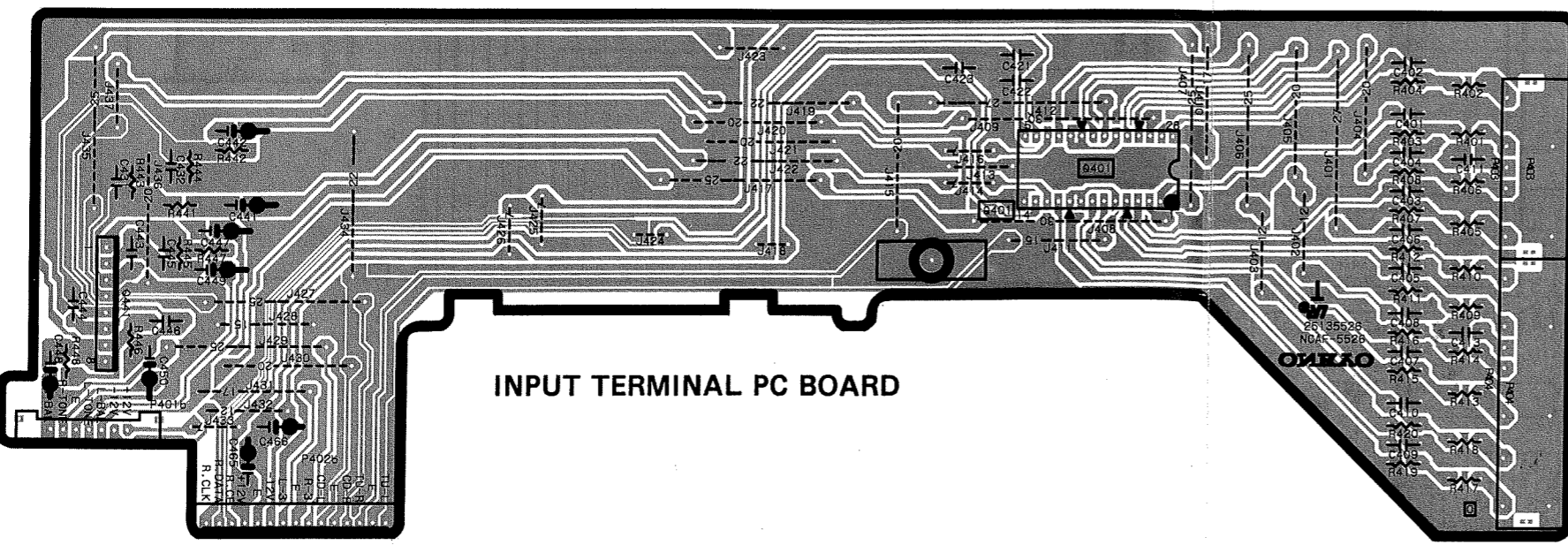
PC BOARD VIEW FROM BOTTOM SIDE



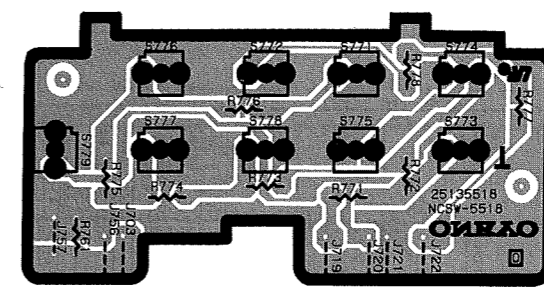
DISPLAY CIRCUIT PC BOARD



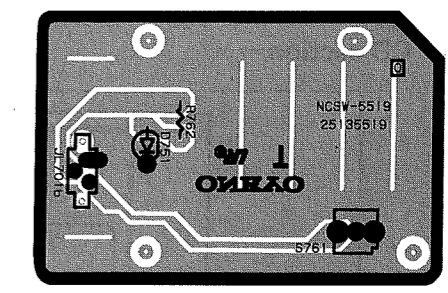
CD CIRCUIT PC BOARD



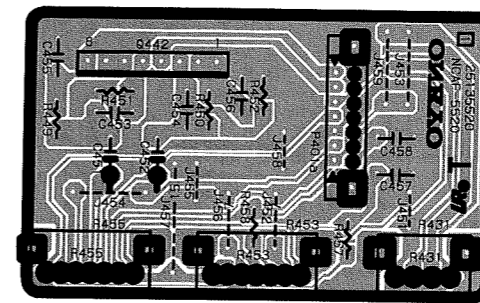
INPUT TERMINAL PC BOARD



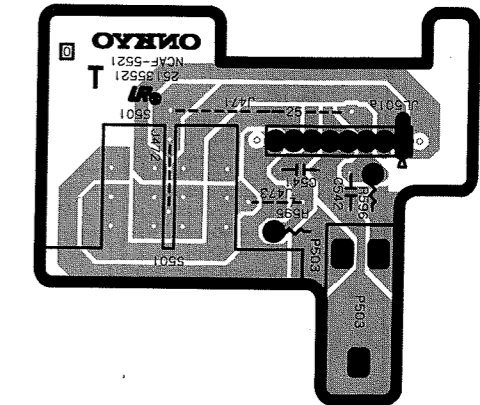
OPERATION SWITCH PC BOARD



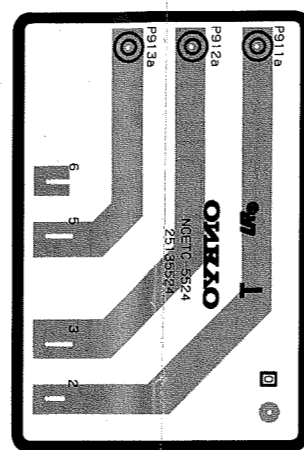
POWER SWITCH PC BOARD



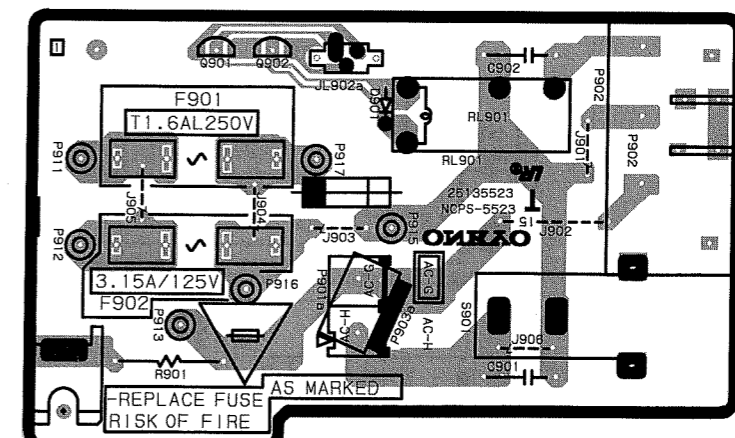
TONE CIRCUIT PC BOARD



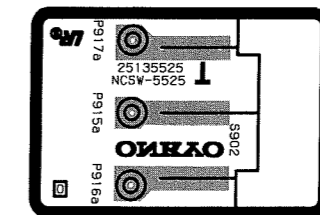
HEADPHONE TERMINAL PC BOARD



PRIMARY CIRCUIT PC BOARD



POWER SUPPLY CIRCUIT PC BOARD



VOLTAGE SELECTOR SWITCH PC BOARD